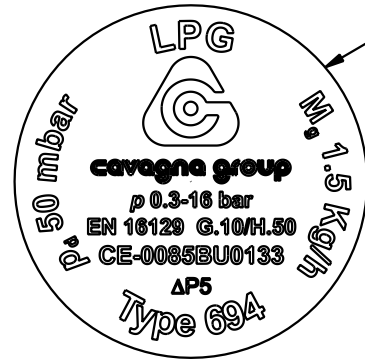
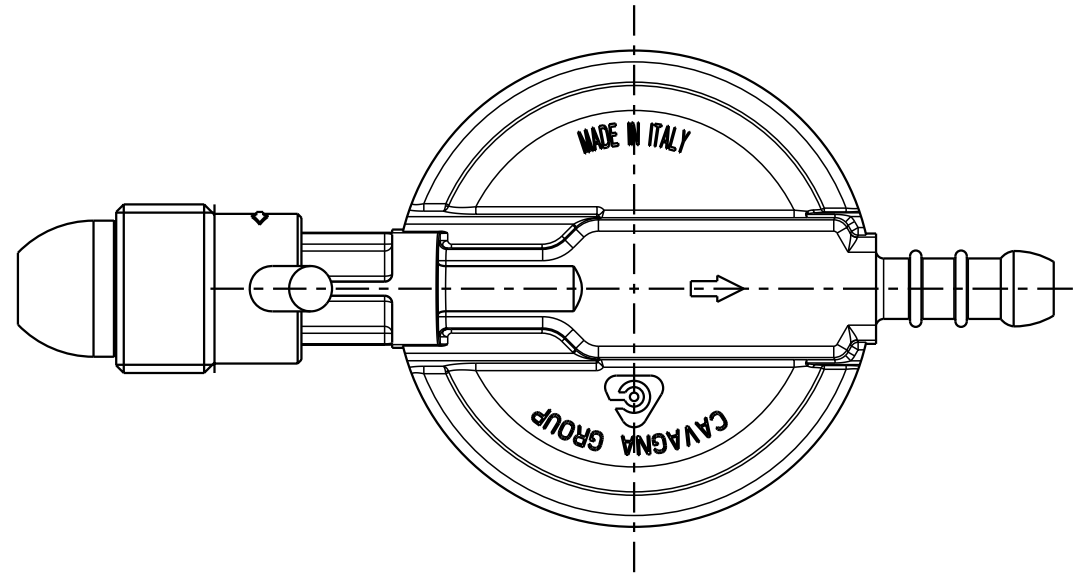
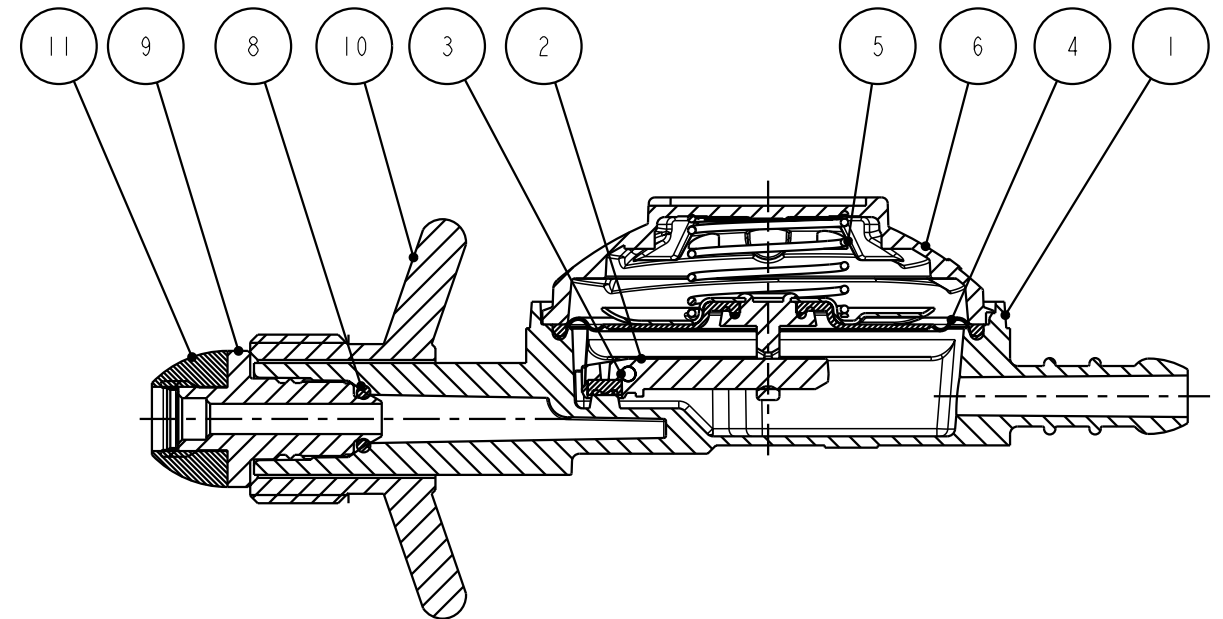
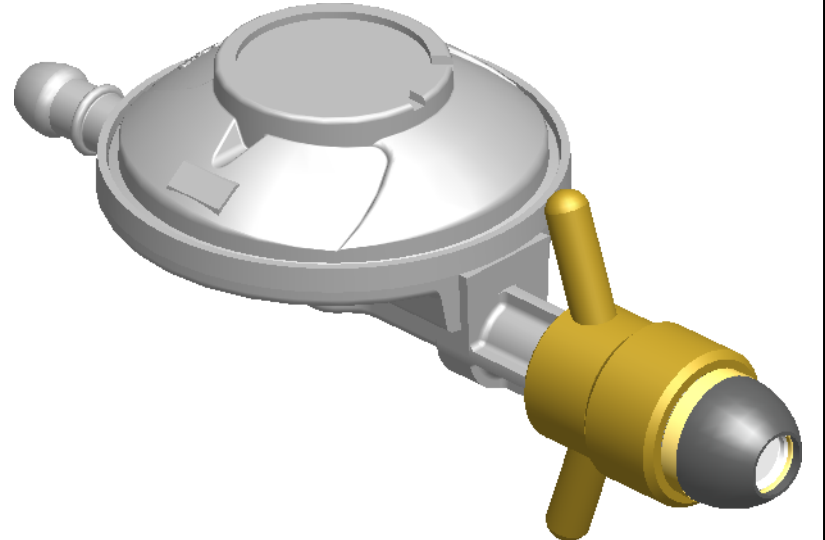


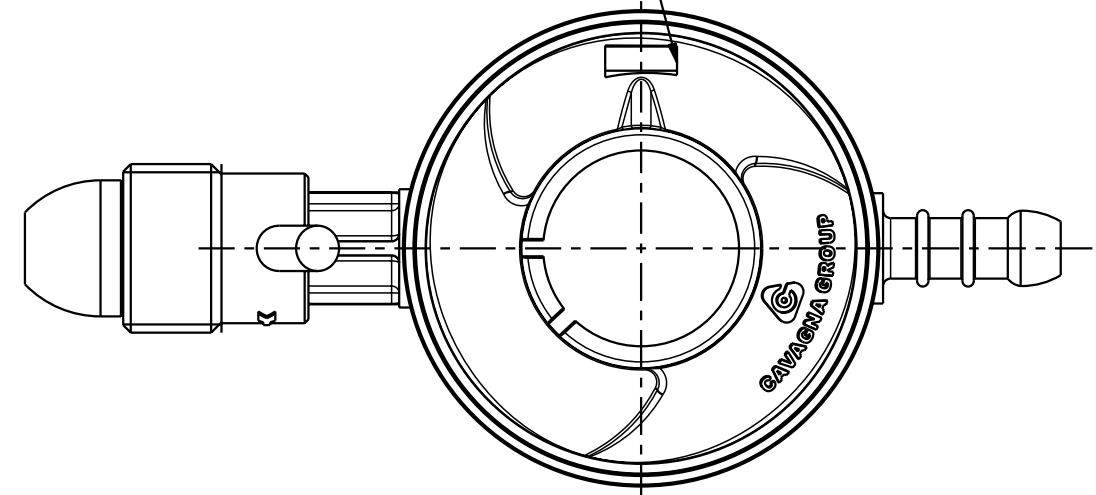
This drawing may not be copied or distributed in any way without the written permission of Cavagna Group Div. RE.CA. Via Matteotti, 5 - Calvisano - BS - Italy



INK STAMP



MANUFACTURING DATE
MONTH - YEAR



NO	NO PRODUCT	DENOMINATION	Q.TY
1	00-1-121-0322	BODY TYPE 69-K6 LONG INLET - HN10	1
2	02-1-950-0021	STANDARD SUB ASSAMBLED ROCKER ARM	1
3	05-1-110-0001	STANDARD LEVER PIN	1
4	09-1-950-0097	S/A DIAPHRAGM NBR	1
5	07-1-110-0409	SETTING SPRING 50mbar	1
6	01-1-121-0186	COVER mod. Ø63 K6 A12	1
7	24-1-110-0001	WHITE ALUMINIUM RAL 9006	1
8	04-1-110-0502	O RING	1
9	16-1-950-0101	S/I RACCORDO BROCCIATO	1
10	10-1-110-0061	CALOTTA 880'' - 14 NGO-L.H. - EXT.	1
11	04-1-110-0002	PUNTALE RACCORDO ENTRATA	1
12	18-1-310-0754	INK STAMP FOR TYPE 694	1
13	34-1-110-0928	INSTRUCTION FOR TYPE 694 (NO-SE)	1
14	23-1-021-0035	IMBALLO STANDARD FILM	1
15	23-1-510-0002	STANDARD BOX (R34)	1

	DENOMINATION		SINGLE STAGE REGULATOR		LPG	50 mbar	1.5 Kg/h
	MODEL	ORIFICE	INLET	OUTLET	SHARED	PROD. INT GROUP	
RECA	694	1.6	.880 P.O.L.	HN 10	N.A.	-	
PERFORMANCE DOC.	COUNTRY	COUNTRY SPECIFIC	WEIGHT	SCALE	MODIFY FILE	PRODUCT NO	REV
694-117	EEC	EN 16129	0.222	1:1	N.A.	69-1-490-0071	0
PROD. EVOLUTION	PROJECT NO	RELEASE LEVEL	DRAWN BY	VERIFIED BY	APPROVED BY		
DEFINITIVE	DS05362	APPROVED+	PEDRINI M.	TOMASELLI L.	SCHLICK B.	02/10/15	